



Single-Round Sanitary Liquid Filter Housings are designed to meet requirements for sanitary construction with smooth crevice-free welding and TC-type sanitary connections. Easy to clean and disassemble. Suitable for low flow rate applications with low-to-medium pressure conditions. This design is widely used in pharmaceutical, bio-technology, and food/beverage industries.

Features

- Ultra-high degree of polishing: Internal: $Ra \leq 0.3\mu m$
External: $Ra \leq 0.4\mu m$
- Meets GMP standards with smooth crevice-free welding and sanitary design. Excellent cleanability & liquid drainage.
- Vent/Drain Valve: The threaded sleeve is separated from stepped hose barb, so the connection tube will not rotate when venting or draining.
- A strengthened closure clamp allows a maximum operating pressure of 1.0MPa.
- With a small footprint and ease of disassembly, this series is ideally suited for use in the manufacture of pharmaceutical and food/beverage products.
- The heavy-duty housing legs have strengthened threads for stability and ruggedness. Adjustable nuts on the legs allow height adjustment for installation convenience. Suitable for
- Suitable for Clean-in-Place and Steam-in Place processes.

Surface Finish

Finish Processing Options:	Passivated Electropolished Mech. Polished
Polish Quality:	Internal: $Ra \leq 0.3\mu m$ External: $Ra \leq 0.4\mu m$

Materials

Shell Options:	304 or 316L Stainless Steel
Drain/Vent Valve:	304, 316L
Tri-Clamp:	304
Stabilizer Blade:	304
Seal Materials:	Silicone, FKM, EPDM

Operating Conditions

Design Pressure Options:	0.6MPa (90psi) 1.0MPa (150psi)
Max. Operating Temperature:	150°C (302°F)

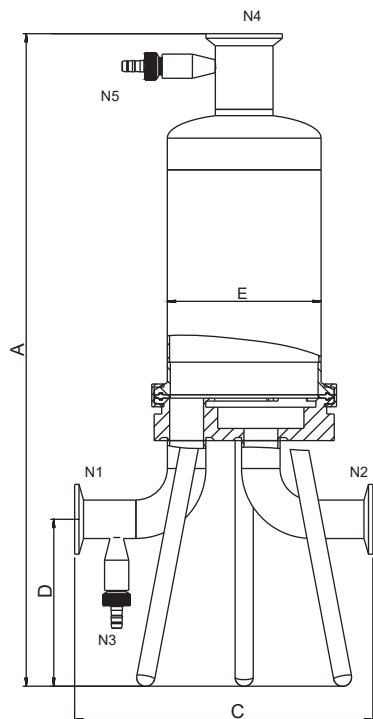
Connection

Shell-to-Base Connection:	Tri-clamp
Inlet & Outlet (N1, N2):	Tri-clamp or Flange
Vent / Drain Valve (N3, N5):	Inner bore, 4mm Connects with 8mm pipe
Pressure Gauge (N4):	1.5" Tri-clamp

Applications

- Pharmaceuticals: filtration of injectables, LVPs, water for injection, antibiotics, and other biological products
- Food and beverage: filtration of beer, wine, distilled spirits, juices, syrups, and drinking water
- Petrochemical industry: filtration of oilfield water, organic solvents, acids, and alkaline fluids
- Microelectronics: pre-filtration of high-purity water

Dimensions (mm)



Nominal Cartridge	A	C	E	D
	Overall Length (excluding pressure gauge kit)	Inlet to Outlet Length	Shell Diameter	Inlet/Outlet Height
5"	421	198	101.6	110
10"	548	198	101.6	110
20"	802	198	101.6	110
30"	1,056	198	101.6	110
40"	1,310	198	101.6	110

Ordering Information

eg: AQJ0105T20SEEX

Series	Connection	Shell Material	Number Round	Length	Inlet & Outlet	Seal Material	Surface Finish (internal)	Surface Finish (external)	Design Pressure
A=Single-Round	Q=226	J=304	01=1	05 = 5"	T20=TC 3/4"	S=Silicone	E=Electropolished	E=Electropolished	X=0.6MPa
Sanitary Filter	P=222	K=316L		10 = 10"	T25=TC 1"	E=EPDM	M=Mech. Polished	M=Mech. Polished	Y=1.0MPa
Housing	F=DOE			20 = 20"	T32=TC 1.25"	V=FKM	P=Passivated		
				30 = 30"	F20=Flange DN20				
				40 = 40"	F25=Flange DN25				
					F32=Flange DN32				
					F40=Flange DN40				
					...				

CUSTOMIZED REQUIREMENTS: Housings can be customized to meet the specific needs of the process and installation. Contact us for assistance.

DISCLAIMER: Filtration data presented is representative of performance observed in controlled laboratory testing. It is not given as a warranty, specification or statement of fitness for use. Specific performance can vary widely depending on contaminant type, fluid properties, flow rates and environmental conditions. It is recommended that users conduct thorough qualification testing to assure the product functions as required.

