



Multi-Round Sanitary Liquid Filter Housings are designed to meet requirements for sanitary construction with smooth crevice-free welding and TC-type sanitary connections. Easy to clean and disassemble. Suitable for higher flow rate applications with low-to-medium pressure conditions. This design is widely used in pharmaceutical, bio-technology, and food/beverage industries. The internal surface can be finely polished down to  $Ra \leq 0.3\mu\text{m}$ .

## Features

- Ultra-high degree of polishing: Internal:  $Ra \leq 0.3\mu\text{m}$   
External:  $Ra \leq 0.4\mu\text{m}$
- Meets GMP standards with smooth crevice-free welding and sanitary design. Excellent cleanability & liquid drainage.
- Vent port feature: Tri-clamp connection for convenience.
- A strengthened closure clamp allows a maximum operating pressure of 1.0MPa.
- The faceplate can be made detachable for full-surface cleaning.
- Suitable for CIP and SIP processes.

## Applications

- Pharmaceuticals: filtration of injectables, LVPs, water for injection, antibiotics, and other biological products.
- Food and beverage: filtration of beer, wine, distilled spirits, juices, syrups, and drinking water.
- Petrochemical industry: filtration of oilfield water, organic solvents, acids, and alkaline fluids.
- Microelectronics: pre-filtration of high-purity water

## Surface Finish

Finish Process Options:	Passivated Electropolished Mech. Polished
Polish Quality:	Internal: $Ra \leq 0.3\mu\text{m}$ External: $Ra \leq 0.4\mu\text{m}$

## Materials

Shell Options:	304 or 316L Stainless Steel
Vent Valve:	304 or 316L
Eyebolt:	304
Stabilizer Blade:	304
Seal Materials:	Silicone, FKM, EPDM

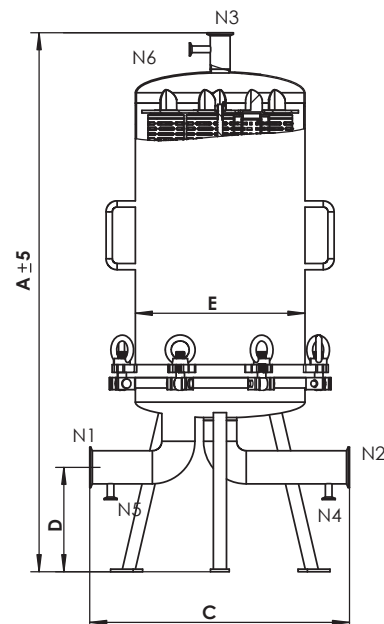
## Operating Conditions

Design Pressure Options:	0.6MPa (90psi) 1.0MPa (150psi)
Max. Operating Temperature:	150°C (302°F)

## Connection

Shell Connection:	Flange eyebolt
Inlet, Outlet (N1,N2):	Tri-clamp/ Flange
Drain/Vent Valve (N4,N5,N6):	Inner bore, 4mm Connects with 8mm pipe
Gauge Port (N3):	1.5" Tri-clamp

## Dimensions (mm)



Model	Nominal Cartridge	A	C	E	D
		Overall Length (excluding pressure gauge kit)	Inlet to Outlet Length	Shell Diameter	Inlet/Outlet Height
3-Round	10"	750	360	219	150
	20"	1,000	360	219	150
	30"	1,250	360	219	150
	40"	1,500	360	219	150
5-Round	10"	750	400	219	150
	20"	1,000	400	219	150
	30"	1,250	400	219	150
	40"	1,500	400	219	150
7-Round	10"	750	420	273	180
	20"	1,000	420	273	180
	30"	1,250	420	273	180
	40"	1,500	420	273	180

Model	Nominal Cartridge	A	C	E	D
		Overall Length (excluding pressure gauge kit)	Inlet to Outlet Length	Shell Diameter	Inlet/Outlet Height
9-Round	10"	750	480	325	200
	20"	1,000	480	325	200
	30"	1,250	480	325	200
	40"	1,500	480	325	200
12-Round	10"	750	500	350	200
	20"	1,000	500	350	200
	30"	1,250	500	350	200
	40"	1,500	500	350	200

## Ordering Information

eg: BQJ0510T20SEEX

Series	Connection	Shell Material	Number Round	Length	Inlet & Outlet	Seal Material	Surface Finish (internal)	Surface Finish (external)	Design Pressure
B=Multi-Round	Q = 226	J = 304	03 = 3	10 = 10"	T20=TC 3/4"	S=Silicone	E=Electropolished	E=Electropolished	X=0.6MPa
Sanitary Liquid	P = 222	K = 316L	05 = 5	20 = 20"	T25=TC 1"	E=EPDM	M=Mech. Polished	M=Mech. Polished	Y=1.0MPa
Filter Housing	F = DOE		07 = 7	30 = 30"	T32=TC 1.25"	V=FKM	P=Passivated		
			09 = 9	40 = 40"	T40=TC 1.5"				
			12 = 12		T50=TC 2"				
					F20=Flange DN20				
					F25=Flange DN25				
					F32=Flange DN32				
					F40=Flange DN40				
					F50=Flange DN50				
					...				

CUSTOMIZED REQUIREMENTS: Housings can be customized to meet the specific needs of the process and installation. Contact us for assistance.

DISCLAIMER: Filtration data presented is representative of performance observed in controlled laboratory testing. It is not given as a warranty, specification or statement of fitness for use. Specific performance can vary widely depending on contaminant type, fluid properties, flow rates and environmental conditions. It is recommended that users conduct thorough qualification testing to assure the product functions as required.



## Hangzhou Darly Filtration Equipment Co., Ltd.

Xindeng Industrial Park, Fuyang, Hangzhou, Zhejiang Province, 311404, China

Tel: +86 571 63210677; 63210177

Fax: +86 571 63256383

sales@darlyfiltration.com

www.darlyfiltration.com

