



N Series - Bag Filter Housings from Darily Filtration are offered in a range of sizes and port options to meet your needs for liquid filtration. Our housings are fabricated using best-practice, industry leading production methods to deliver high quality and best value. These are an excellent choice for liquid filtration covering a wide range of applications: food and beverage, fine chemicals, process fluids. Our single-bag and multi-bag housings can be customized depending on the user's specific needs.

Features

- Housings are designed with a sanitary housing style. Internal finish $Ra < 0.6\mu m$ as preferred for potable water and food/beverage production.
- The three-point clamping closure ensures excellent sealing performance.
- The swingbolt closure with eyebolts allows for easy handling and servicing.
- Strengthened filter baskets are rugged and long-lasting.

Surface Finish

Finish Process Options:	Passivated, Electropolished, Mech. Polished, Sand blasted
Polish Quality:	Internal: $Ra \leq 0.6\mu m$ External: $Ra \leq 0.8\mu m$

Material

Shell Options:	304 or 316L Stainless Steel
Eyebolts:	304
Legs:	304
Seal Materials:	Silicone, FKM, EPDM, Teflon encapsulated FKM

Operating Conditions

Design Pressure:	1.0MPa (150psi)
Max. Operating Temperature:	150°C (302°F)

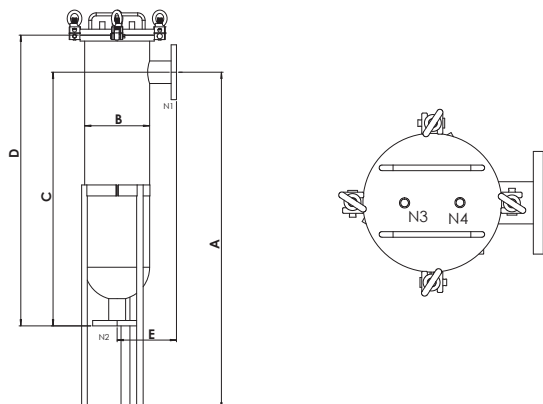
Connection

Shell Connection:	Swing bolt closure
Inlet & Outlet:	Tri-clamp / Flange
Gauge Port:	M14*1.5 bottom

Applications

- Pre-filtration of RO systems; Bottled water production
- Filtration of process water, condensate water, cooling water, & waste water
- Chemical industry filtration of acids, alkaline liquids, & organic solvents
- Energy industry condensate & cooling waters

Dimensions (mm)



Model		A	B	C	D	E
Single-Bag	Size 1	830	219	550	640	200
	Size 2	1,230	219	950	1,040	200
	Size 3	680	159	420	510	170
	Size 4	830	159	550	640	170
2-Bag	Size 1	830	400	550	640	290
	Size 2	1,230	400	950	1,040	290
	Size 3	680	273	420	510	227
	Size 4	830	273	550	640	227
3-Bag	Size 1	830	400	550	640	315
	Size 2	1,230	400	950	1,040	315
	Size 3	680	273	420	510	235
	Size 4	830	273	550	640	235
4-Bag	Size 1	830	450	550	640	340
	Size 2	1,230	450	950	1,040	340
	Size 3	680	325	420	510	253
	Size 4	830	325	550	640	253
Model		A	B	C	D	E
5-Bag	Size 1	830	500	550	640	355
	Size 2	1,230	500	950	1,040	355
	Size 3	680	360	420	510	270
	Size 4	830	360	550	640	270
6-Bag	Size 1	830	540	550	640	385
	Size 2	1,230	540	950	1,040	385
	Size 3	680	360	420	510	288
	Size 4	830	360	550	640	288
7-Bag	Size 1	830	540	550	640	640
	Size 2	1,230	540	950	1,040	640
	Size 3	680	360	420	510	288
	Size 4	830	360	550	640	288
8-Bag	Size 1	830	650	550	640	415
	Size 2	1,230	650	950	1,040	415
	Size 3	680	450	420	510	315
	Size 4	830	450	550	640	315

Ordering Information

eg: NJ0101T20SEE

Series	Shell Material	Number Round	Filter Bag	Inlet & Outlet	Seal Material	Surface Finish (internal)	Surface Finish (external)
N=Bag Filter Housing	J = 304	01=1	01=No.1	T20=TC 3/4"	S=Silicone	E=Electropolished	E=Electropolished
	K = 316L	02=2	02=No.2	T25=TC 1"	E=EPDM	M=Mech. Polished	M=Mech. Polished
	L = Carbon Steel	03=3	03=No.3	T32=TC 1.25"	V=FKM	P=Passivated	S=Sand Blasted
		04=4	04=No.4	T40=TC 1.5"	P=Teflon encapsulated FKM		
			05=No.5	T50=TC 2"			
			06=No.6	F20=Flange DN20			
			07=No.7	F25=Flange DN25			
			08=No.8	F32=Flange DN32			
				F40=Flange DN40			
				F50=Flange DN50			
				...			

CUSTOMIZED REQUIREMENTS: Housings can be customized to meet the specific needs of the process and installation. Contact us for assistance.

DISCLAIMER: Filtration data presented is representative of performance observed in controlled laboratory testing. It is not given as a warranty, specification or statement of fitness for use. Specific performance can vary widely depending on contaminant type, fluid properties, flow rates and environmental conditions. It is recommended that users conduct thorough qualification testing to assure the product functions as required.



Hangzhou Darly Filtration Equipment Co., Ltd.

Xindeng Industrial Park, Fuyang, Hangzhou, Zhejiang Province, 311404, China

Tel: +86 571 63210677; 63210177

Fax: +86 571 63256383

sales@darlyfiltration.com

www.darlyfiltration.com



Rev.SS2022A