



G Series - PTFE-Lined Housings are the appropriate choice for handling the most corrosive industrial fluids. The stainless steel shell, base, and ports are fully lined with a continuous PTFE coating to prevent attack on the housing body. The extra-strength eyebolts assure a high integrity, robust seal to prevent fluid leakage, while remaining easy to install and service. Filtration of impurities from highly corrosive fluids is critical to support trouble-free operation of pumps, valves, and other process equipment.

Applications

- Chemical industry: filtration of strongly corrosive concentrated acidic and alkaline fluids
 - Nitric acid
 - Sulfuric acid
 - Trifluoroacetic acid
 - NaOH
 - Fluorinated furan
- Food and beverage: filtration of beer, wine, distilled spirits, dairy products
- Low temperature process fluids & refrigerants: liquid methane, liquid ammonia, & liquid oxygen

Surface Finish

Finish Process Options:	Passivated Electropolished Mech. Polished
Polish Quality:	Internal: Ra ≤ 0.3µm External: Ra ≤ 0.4µm

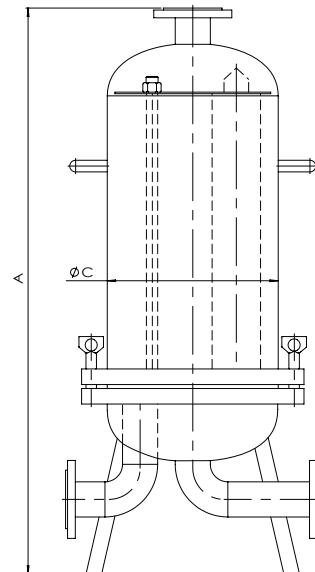
Materials

Shell Options & Base Options:	304 & 316L Stainless Steel
Fluid Contact Surfaces:	PTFE
Seal Materials:	PTFE

Operating Conditions

Design Pressure:	0.6MPa (90psi)
Max. Operating Temperature:	150°C (302°F)

Dimensions (mm)



Ordering Information

eg: GQJ0105T20FE

Series	Connection	Shell Material	Number Round	Length	Inlet & Outlet	Seal Material	Surface Finish (external)
G=PTFE	Q=226	J = 304	01=1	05=5"	T20=TC 3/4"	F=PTFE	E=Electropolished
Fluid Filter	P=222	K = 316L	02=2	10=10"	T25=TC 1"		M=Mech. Polished
Housing	F=DOE		03=3	20=20"	T32=TC 1.25"		P=Passivated
			04=4	30=30"	T40=TC 1.5"		
				40=40"	T50=TC 2"		
					F20=Flange DN20		
					F25=Flange DN25		
					F32=Flange DN32		
					F40=Flange DN40		
				F50=Flange DN50			
				...			

CUSTOMIZED REQUIREMENTS: Housings can be customized to meet the specific needs of the process and installation. Contact us for assistance.

DISCLAIMER: Filtration data presented is representative of performance observed in controlled laboratory testing. It is not given as a warranty, specification or statement of fitness for use. Specific performance can vary widely depending on contaminant type, fluid properties, flow rates and environmental conditions. It is recommended that users conduct thorough qualification testing to assure the product functions as required.

